

TELEVISION TECHNICAL BULLETIN

<u>MODELS</u>	51CS03H	51CS05H	59CS03H	59CS05H
	59CSD8H	66CS03H	66CS05H	66CSD8H

SYMPTOM The receiver can suffer from any of the symptoms listed below.

- Intermittent failure of Q601
- Intermittent failure of Q701
- No start up
- Q601 running excessively hot

ACTION Fit the CS Chassis kit, details given below.

<u>REF NO</u>	<u>DESCRIPTION</u>	<u>PART NUMBER</u>	<u>PRICE CODE</u>
-	Kit for 51cm models	51CSCHASSISKIT	AT
-	Kit for 59/66cm models	59CSCHASSISKIT	AV

The kits in the parts list above contain the following parts, it is strongly recommended that ALL parts are fitted.

	<u>51CSCHASSISKIT</u>	<u>59CSCHASSISKIT</u>	<u>Note</u>
C601	RC-FZ0147BMZZ	RC-FZ0152BMZZ	
C604	RC-EZ0122BMZZ	RC-EZ0122BMZZ	High temperature type
C619	VCEAGA1JW107M	VCEAGA1JW107M	
C708	RC-FZ9683BMNJ	RC-FZ9683BMNJ	
C714	VCEAHA1AB108M	VCEAHA1AB108M	High temperature type
D609	RH-DX0503BMZZ	RH-DX0503BMZZ	
D610	RH-DX0504BMZZ	RH-DX0504BMZZ	
D718	RH-EX0419BMZZ	RH-EX0419BMZZ	
D720	RH-DX0045BMZZ	RH-DX0045BMZZ	
F701	QFS-C3226CEZZ	QFS-C3226CEZZ	
Q601	RH-TX0125BMZZ	RH-TX0144BMZZ	Different transistor for 51 and 59/66cm models
Q701	RH-TX0166BMZZ	RH-TX0166BMZZ	
Q702	RH-TX0102BMZZ	RH-TX0102BMZZ	
Q703	RH-TX0102BMZZ	RH-TX0102BMZZ	
R706	VRN-VV3ABR47J	VRN-VV3ABR47J	Not for 59CS05H or 66CS05H models
R706		VRN-VV3ABR33J	For 59CS05H and 66CS05H models only
R707	VRS-TV1JD221J	VRS-TV1JD221J	

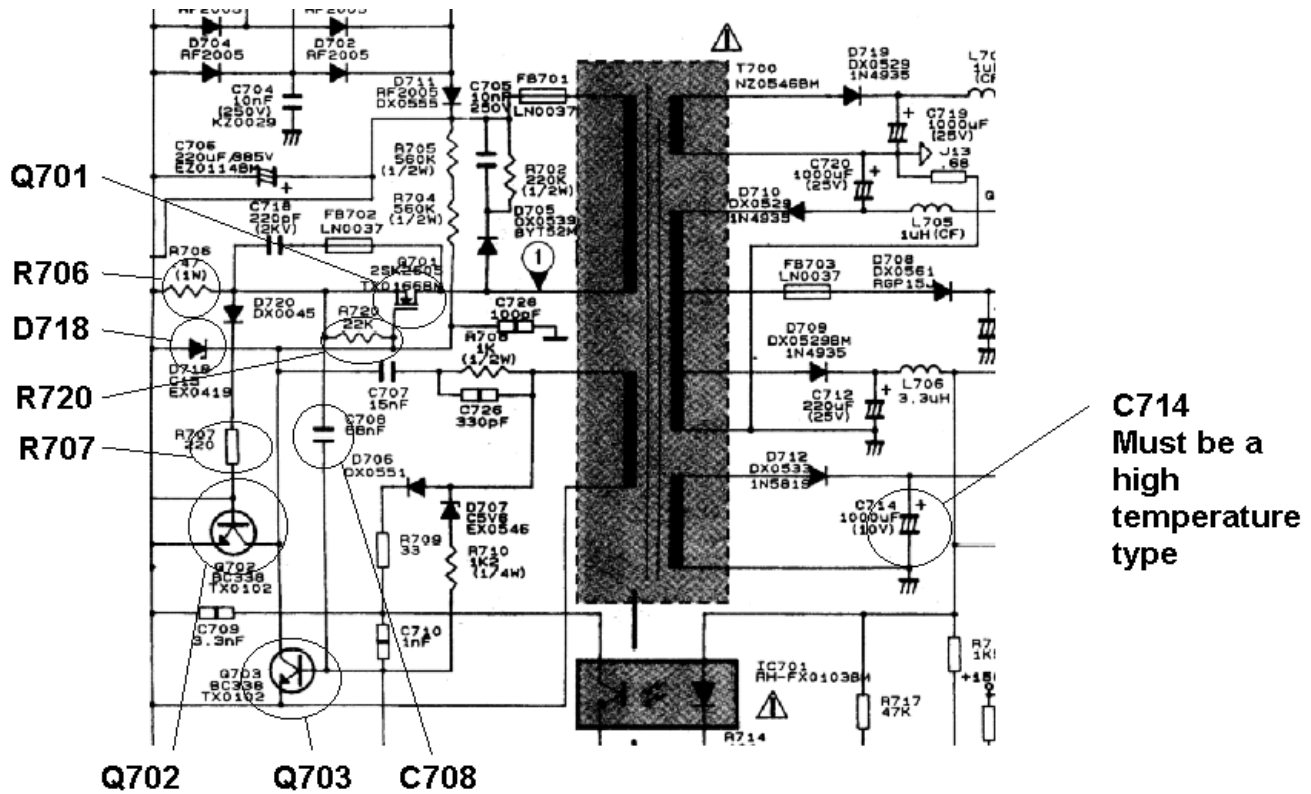
Notes:

Check the scan coils and scan coil plug for dry joints.

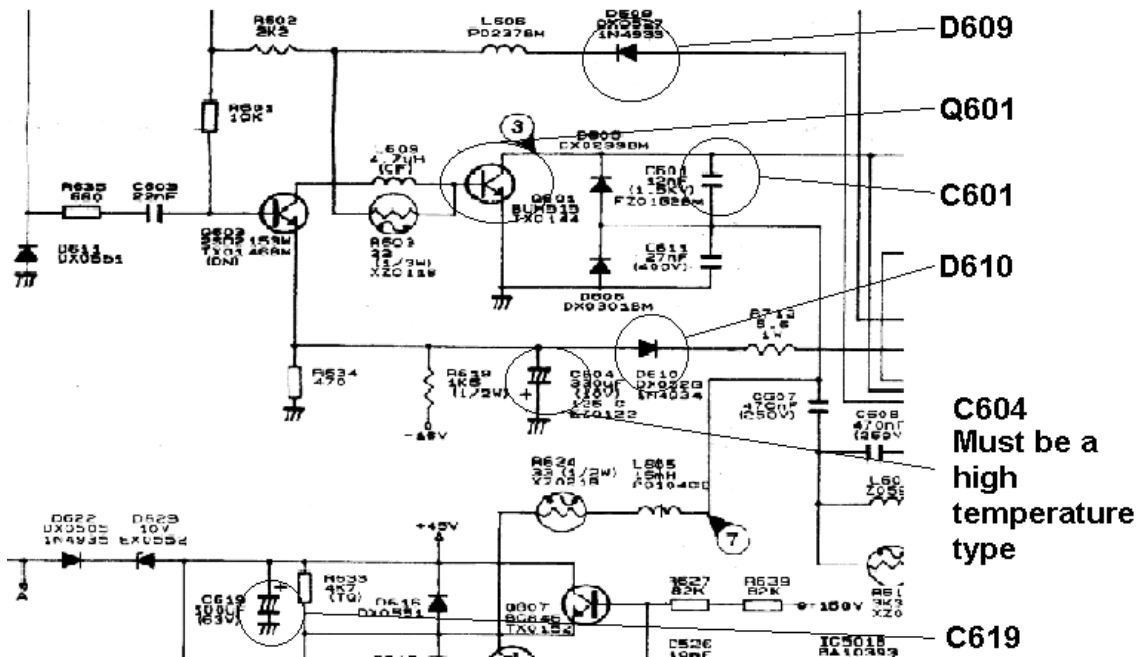
Ensure that the resistor next to C604 (R638) is at least 5mm away from the body of the capacitor.

R706 is 0.33 Ohms in the 59CS05H and 66CS05H.

The schematic diagrams on page 2 are based on the 59CSD8H.



Schematic Diagram Showing the Location of Components in the Power Supply



Schematic Diagram Showing the Location of Components in the Line Stage